

CWP H/S Maintenance Kit B CWP 101-106H/S

Contents

Kit B CWP 101-106 to S/N 2836

Part number for complete kit: 3028286 001

Kit B CWP 101-103 from S/N 2837 to S/N 1000194 and
CWP 104-106 from S/N 2837 to S/N 2961

Part number for complete kit: 3028287 002

Kit B CWP 101-103 from S/N 1000195 to S/N 1000250
and CWP 104-106 from S/N 2962 to S/N 1000250

Part number for complete kit: 3028288 003

Kit B CWP 101-106 from S/N 1000251 to S/N 1339309

Part number for complete kit: 3028289 004

Kit B CWP 101-106 from S/N 1339310 to S/N 1369929

Part number for complete kit: 3031199 005

Kit B CWP 101-106 from S/N 1369930

Part number for complete kit: 3033869 006

Description and contents per kit

<u>Picture</u>	<u>Item</u>	<u>Description</u>	<u>Total Nos.</u>	<u>Total Nos.</u>	<u>Total Nos.</u>	<u>Total Nos.</u>	<u>Total Nos.</u>	<u>Total Nos.</u>
1	A	Check valve for dosing pump PKX010889F	2	2	2	2	2	-
1	B	Guide for check valve	2	2	2	2	2	-
1	C	PVDF nipple and nut with O-rings for dosing pump PKX010889F	2	2	2	2	2	-
2	D	Membrane for solenoid valve, ODE, position 36, 48 and 102 in the flow diagram	3	3	-	-	-	-
2	E	O-ring for pilot channel in solenoid valve, ODE, position 36, 48 and 102 in the flow diagram	3	3	-	-	-	-
3, 4	F	Membrane kit for solenoid valve, ASCO, position 36, 48 and 102 in the flow diagram	-	-	3	3	3	3
5	G	Membrane kit for inlet solenoid valve, Bürkert 18W, position 1 in the flow diagram	-	1	1	-	-	-
6	H	Membrane kit for inlet solenoid valve, Bürkert 5282, position 1 in the flow diagram	-	-	-	-	1	1
7	I	Replacement pump head for new dosing pump PKX010888T	-	-	-	-	-	1

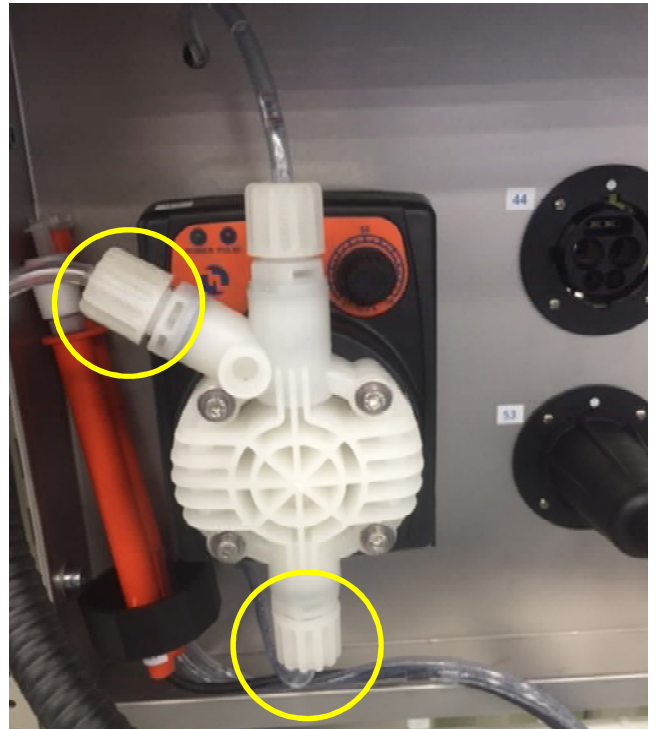
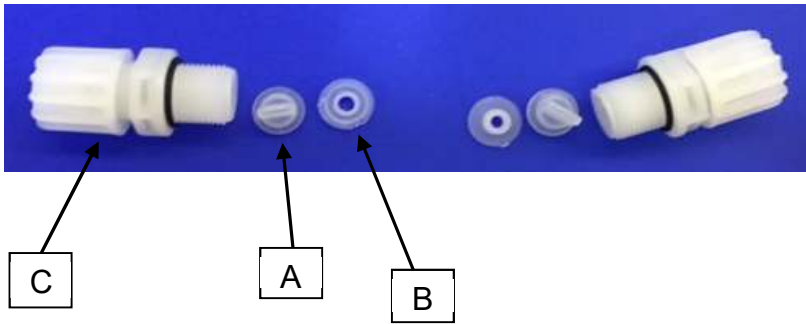
**Maintenance Kit
CWP 101-106H
CWP 101-106S**

Recommended intervals	Kit	Recommended adjustments
After 1 year in operation	Kit A	See Service Manual
After 2 year in operation	Kit A and Kit B	See Service Manual
After 3 year in operation	Kit A	See Service Manual
After 4 year in operation	Kit A, Kit B and Kit C	See Service Manual
After 5 year in operation	Kit A	See Service Manual
After 6 year in operation	Kit A and Kit B	See Service Manual
After 7 year in operation	Kit A	See Service Manual
After 8 year in operation	Kit A, Kit B and Kit C	See Service Manual

NOTE:

1. The following pictures are for representative purposes only. Parts may vary slightly from shown.
2. The replacement check valve fittings (Items A, B and C) are specific to the older style dosing pump (PKX010889F). If your pump (or pump head) has been upgraded to the newer style, PKX010888T, discard these fittings and do not use. The newer style pump head contains an unused barb fitting moulded on the discharge port for easy identification, refer to pictures 7 on pg. 8. Preventative maintenance on the newer style pump, PKX010888T, involves replacing the pump head using P/N 3027818, refer to Item I on pg. 8.

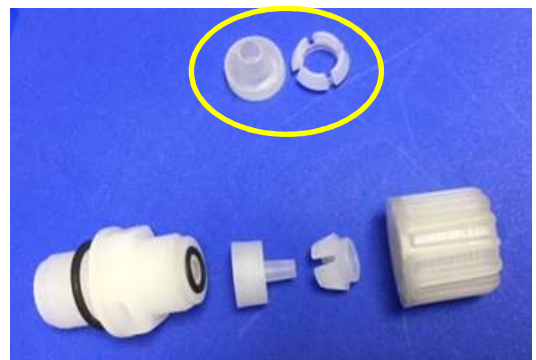
Pictures 1, Item A, B, and C



Change:

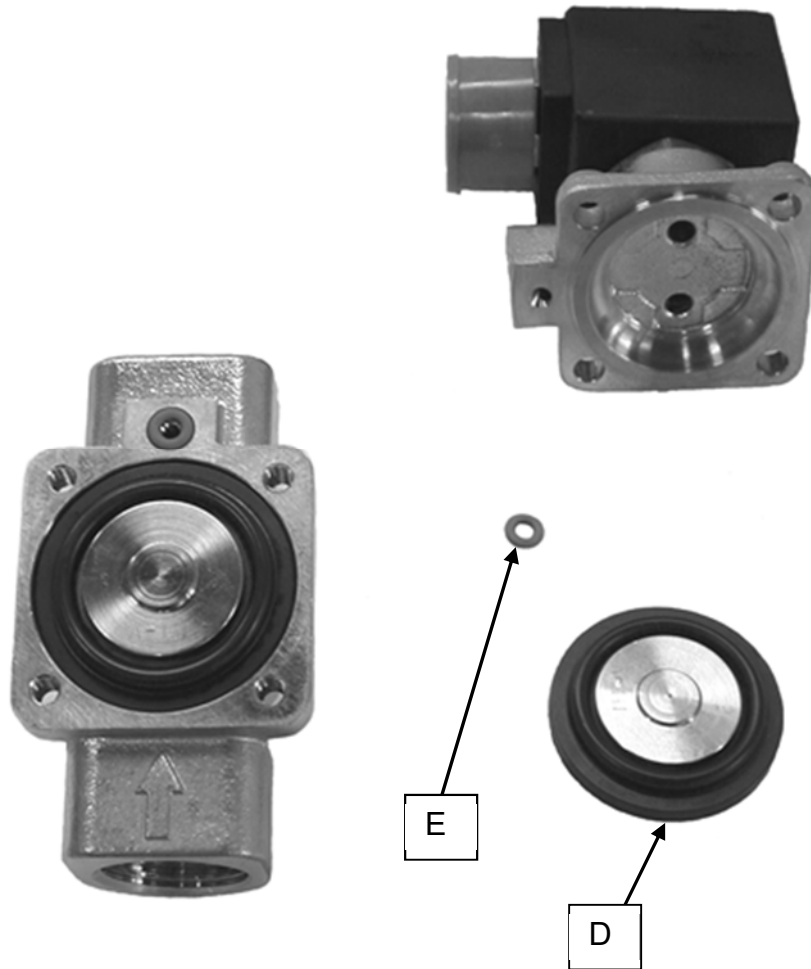
A: Check Valve	2 pce
B: Guide for Check Valve	2 pce
C: PVDF Nipple, Nut and O-rings for Dosing Pump	2 pce

NOTE: Kit supplied with extra tube nozzle and collet which fits the old style dosing pump's 3/16" I.D. tubing (see image to right).



Picture 2, Item D and E

Picture 2



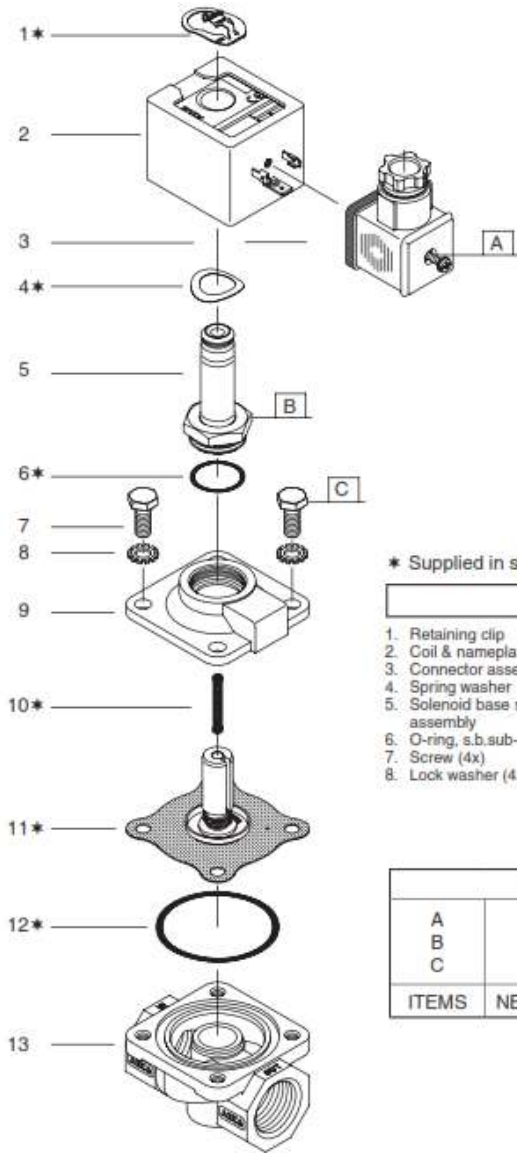
Change:

D: Membrane for Solenoid valve	3 pce
E: O-ring for pilot channel in Solenoid valve	3 pce

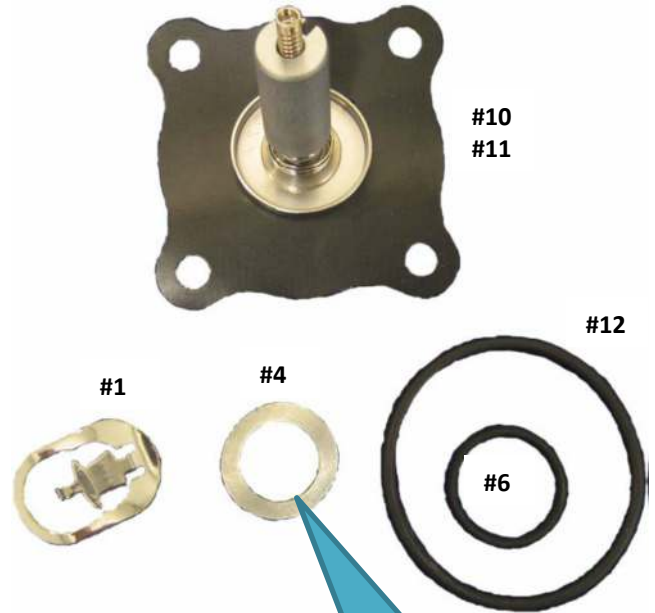
NOTE: Item D and E only kits -001 and -002

Picture 3 and 4, Item F

Picture 3



Picture 4



* Supplied in spare part kit

DESCRIPTION

- | | |
|-------------------------------|-----------------------------|
| 1. Retaining clip | 9. Bonnet |
| 2. Coil & nameplate | 10. Spring |
| 3. Connector assembly | 11. Diaphragm/core-assembly |
| 4. Spring washer | 12. O-ring, valve body |
| 5. Solenoid base sub-assembly | 13. Valve body |
| 6. O-ring, s.b.sub-assy | |
| 7. Screw (4x) | |
| 8. Lock washer (4x) | |

TORQUE CHART		
A	0,6 ± 0,2	5 ± 2
B	20 ± 3	175 ± 25
C	12,4 ± 1,1	110 ± 10
ITEMS	NEWTON.METRES	INCH.POUNDS

Spring washer is placed between coil and solenoid base sub-assembly. This washer is not intended to be in contact with water!

Change:

F: Membrane, spring, O-rings, spring washer and retaining clip 3 pce

NOTE: Item F only kits -003, -004, -005 and -006

Picture 5, Item G

Picture 5



Change:

G: Membrane, plunger, spring and O-ring 1 pce

NOTE: Item G only kit -002 and -003

Picture 6, Item H

Picture 6

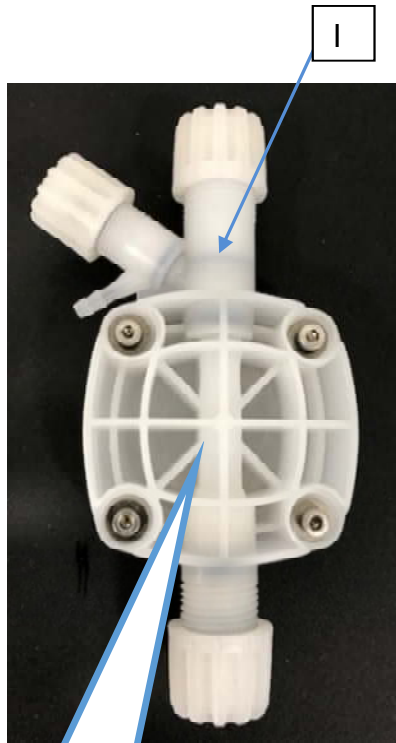


Change:

H: Membrane, spring and O-rings 1 pce

NOTE: Item H only kit -005 and -006

Pictures 7, Item I



Replacement pump head for
new CWP dosing pump
PKX010888T

Unused barb fitting for easy
identification of newer style
pump head

Change:

I: PVDF pump head (for new dosing pump PKX010888T)

1 pce

NOTE: Item I only kit -006

NOTE: Ensure factory applied sealing plugs are removed from suction, discharge and autopurge fittings prior to use.