

## MILLENIUM REGULATOR/SOLENOID REPLACEMENT PROCEDURE

### Tools and Materials Required

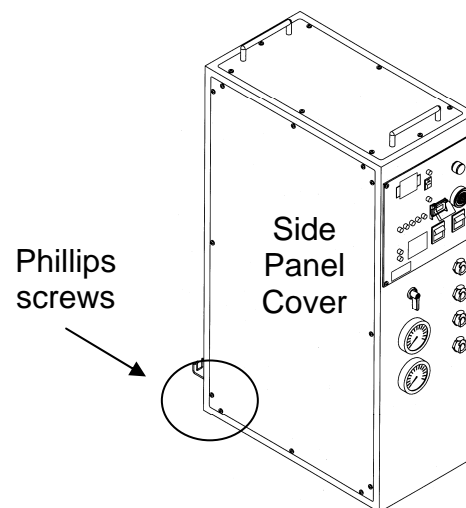
- #2 Phillips screwdriver.
- Tongue and groove pliers
- Wrench, box-end 9/16"
- Water regulator (1234489)
- Solenoid (ME40739)
- Teflon tape (ME60028)
- PVC Pipe Nipple (ME40241, qty 2 req'd)
- New fittings (optional)

### Initial Preparation

1. Turn off Millenium.
2. Turn off water supply at source.
3. Briefly turn ON the Inlet Water Valve switch. Allow system (including, if present, carbon tank(s), softener, pre-filter housing, etc.) to fully depressurize.
4. Disconnect water lines: Product, Feed and Waste.
5. Unplug power cord.

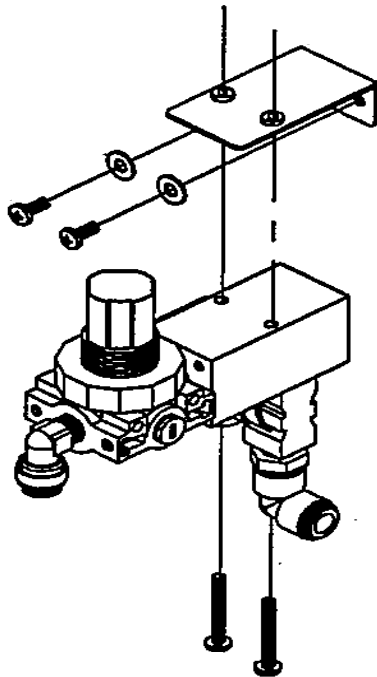
**WARNING:** Ensure power cord is disconnected to prevent risk of electric shock, which could cause injury or death.

6. Remove Millenium from cart.
7. Using a Phillips screwdriver, remove screws holding large side panel cover. Remove cover.



## REGULATOR AND/OR SOLENOID REPLACEMENT PROCEDURE

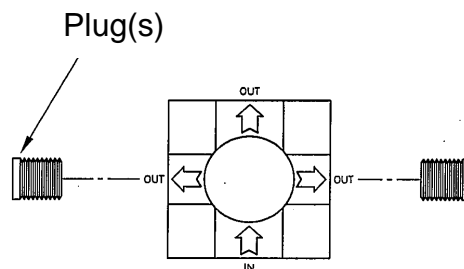
1. Disconnect tubing from the regulator outlet and solenoid inlet as follows:
  - a) Remove red lock clip from fitting. Retain clip for reuse.
  - b) Collapse dark gray collar into fitting body.
  - c) Hold gray collar firmly against fitting body while gently pulling on tubing to remove it from fitting.



2. Remove the nut holding the solenoid coil to the valve body. Slide the solenoid coil off of the valve body.
3. Remove the manifold assembly from the mounting bracket by removing the two Phillips head screws.
4. Remove the regulator and valve body from the manifold block. If needed, wrap the pliers with Teflon tape and remove the nipples; new nipples are provided.

5. Install the plugs that were included with the regulator in the ports shown in the detail below; wrap 2-3 full turns of Teflon tape clock-wise around the plugs.

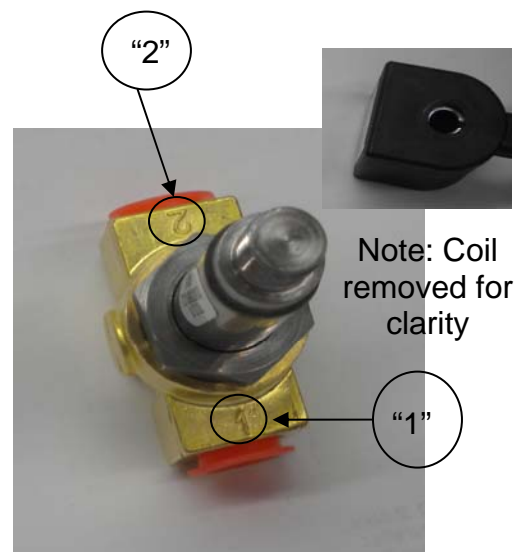
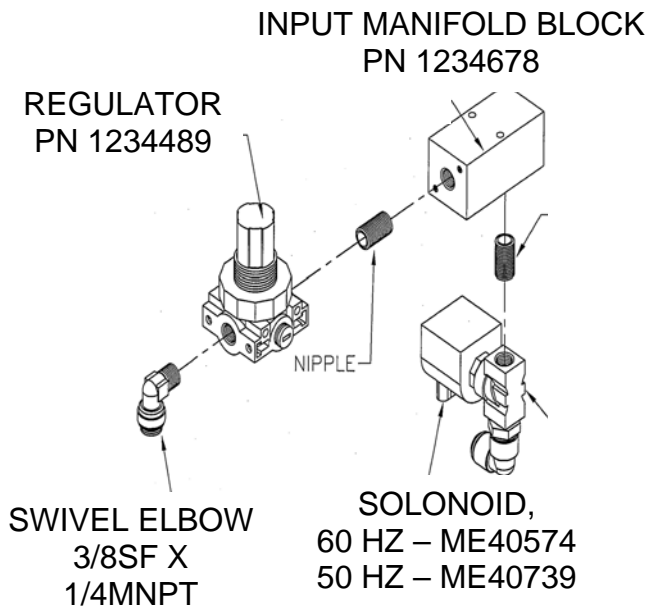
**NOTE:** When using Teflon tape do not over tighten fittings.



Regulator (Bottom View)

## REGULATOR/SOLENOID / RE-ASSEMBLY PROCEDURE

6. Install the new nipples into the ports of the existing manifold block; wrap 2-3 full turns of Teflon tape clock-wise around the nipples.
7. Install the valve body to bottom of the manifold block screwing the valve body onto the nipple installed in step 8 above. Note the orientation of the valve body. The port marked "1" is the inlet, and port "2" is the outlet. The outlet should be connected to the manifold block.



8. Install the regulator into the side of the manifold block, by screwing the inlet port marked "IN" to the nipple installed in step 8.
9. Remove old thread tape from the swivel elbow previously installed in the outlet of the regulator. Wrap 2-3 full turns of new Teflon tape clock-wise around the threaded end of the elbow. Install into the inlet port of the new regulator. Hand tighten; do not over tighten.
10. Mount the inlet manifold to the mounting bracket using the existing screws.
11. Re-install the solenoid coil and nut onto the valve body. Hand tighten nut; then using a 9/16", box-end wrench or similar, tighten nut approximately ¼ turn.

12. Re-attached the braided hose and tube connector, which connects to the feed/waste manifold into the elbow. Insert the tube connector into the rigid elbow attached to the regulator, push the tube connector in until it seats in the rigid elbow, and install the red clip between the grey collar and the elbow.
13. Re-attach the braided hose and tube connector from the 2 way divider fitting located under the inlet pressure switch to the valve body swivel elbow; push the tube connector in until it seats in the elbow. Finally, install the red clip between the grey collar and the elbow.
14. Prepare for leak testing, restore water and power connections and then reference:

**Tech Note 207: MILLENIUM START-UP PROCEDURE**