

## WRO Mounting on Docking Station

The WRO 300 and 300 H model portable RO units are mountable on the Mar Cor Purification Docking Station; however, there is a configuration change needed for the prefilter mounting bracket when portable carbon tanks are used and a different retaining bracket is required.

### PREFILTER BRACKET

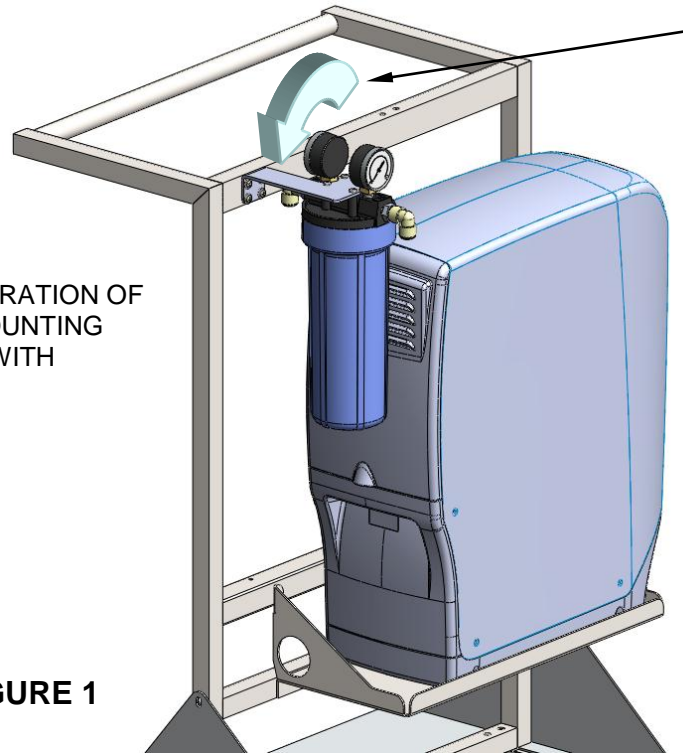
As documented in the assembly instructions for the Docking Station cart, the prefilter mounting bracket is shown with an “inside position” mount on the cart handle. Refer to Figure 1. The prefilter bracket will need to be rotated and remounted on the prefilter housing with an “outside position” mount on the cart. The same bracket and mounting hardware is used. No additional parts are needed to reconfigure the prefilter and bracket. The following information instructs how this configuration change is made.

It is necessary to take the prefilter out of service on the cart if already in use. Remove pressure from the system.

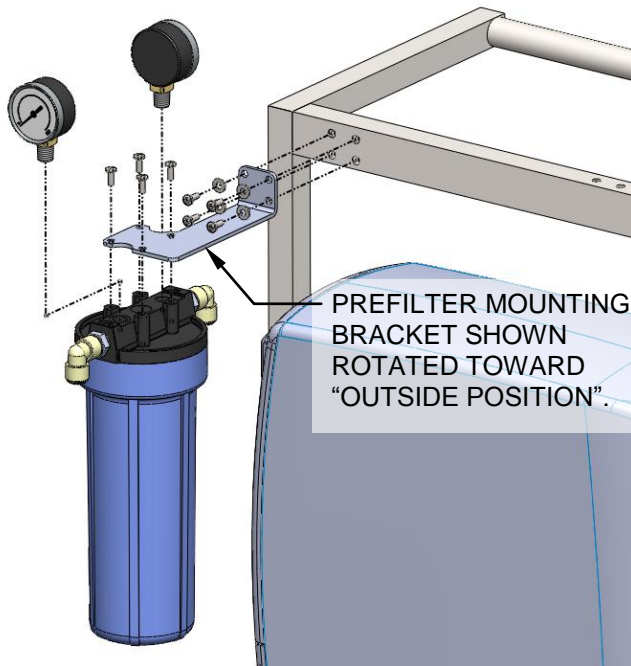
1. Remove the pressure gauges from the prefilter housing.
2. Remove the prefilter and bracket from the cart.
3. Remove the prefilter from the bracket.
4. Refer to Figures 2 and 3. Assemble the prefilter and bracket together and remount the bracket to the cart. Add the pressure gauges. **NOTE:** Use thread tape on the pressure gauge threads to prevent leaks.
5. Return the prefilter to service.

EXISTING CONFIGURATION OF THE PREFILTER MOUNTING BRACKET SHOWN WITH "INSIDE POSITION".

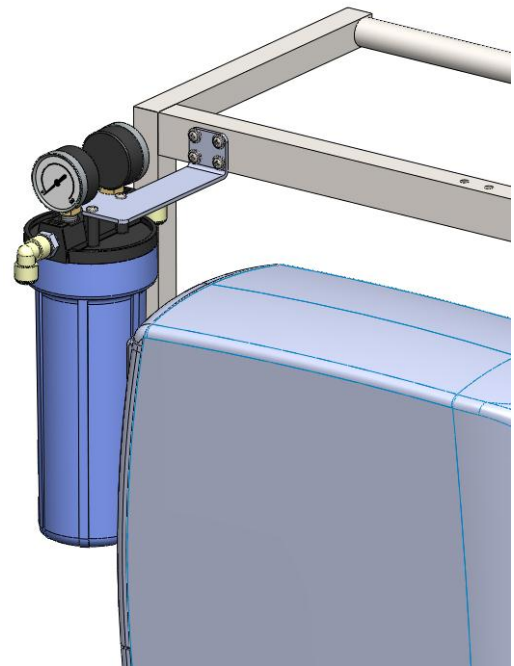
**FIGURE 1**



REMOVE THE PREFILTER AND BRACKET. ROTATE THE BRACKET IN THE DIRECTION OF THE ARROW. REMOUNT PREFILTER AND ATTACH TO CART AS SHOWN IN FIGURES 2 AND 3.



**FIGURE 2**  
 EXPOLODED VIEW



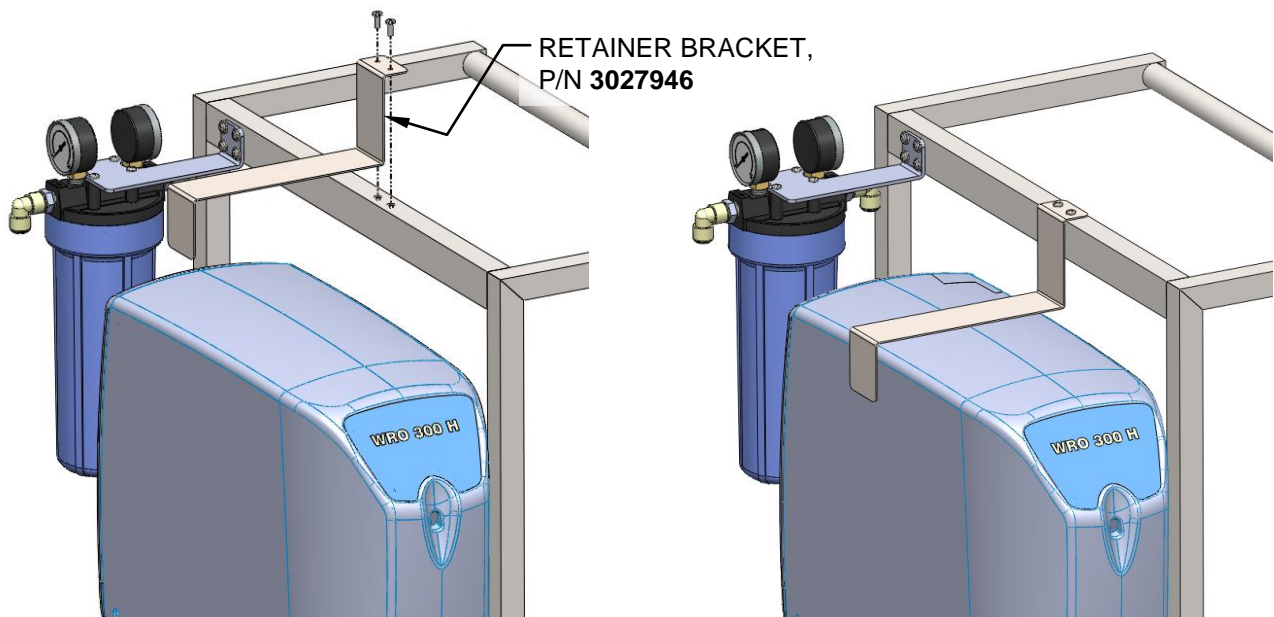
**FIGURE 3**  
 ASSEMBLED VIEW

## WRO 300 AND 300H RETAINING BRACKET

The WRO 300 and 300 H portable RO units' frames have a lower profile than the Millennium RO portable RO cabinet. Because of the lower height difference, it may be necessary to use a different retaining bracket designed to compensate for the enclosure height.

The bracket is a replacement for the existing bracket provided with the Docking Station cart.

The new bracket part number is P/N 3027946. It uses the same mounting hardware as the existing bracket. It is optional whether to use the plastic spacer between the bracket and cart handle as it is not required. Refer to Figures 4 and 5 for bracket mounting.



**FIGURE 4**

**FIGURE 5**