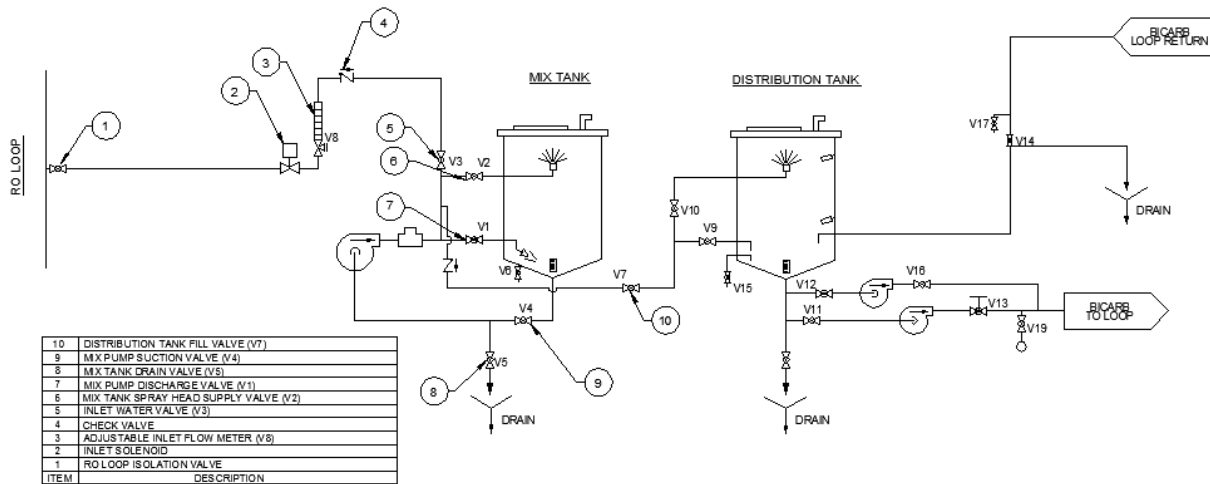


PSDS CHECK VALVE REPLACEMENT

Contents:

Item	P/N	Description	QTY
1	3029914	ASSY,PSDS,CHECK VALVE REPLACEMENT	1



Procedure:

1. Turn the Power Switch on the PSDS to the OFF position.
2. Close the RO Loop Isolation Valve and the Inlet Water Valve (V-3).
3. Remove the union half located inside the PSDS frame that connects to the top of the flow meter.



4. Remove the union from the top of Inlet Water Valve (V-3). Discard the removed hose assembly.



5. Install the new hose assembly between the union located at the top of the flow meter and V-3.
6. Open the RO Loop Isolation Valve and the Inlet Water Valve (V-3).
7. Turn ON the PSDS.
8. Close the Mix Pump Discharge Valve (V-1) and the Mix Tank Spray Head Supply Valve (V-2)
9. Turn the Mix Tank Auto Fill Switch to START. Inspect for leaks from the newly installed hose assembly. Once confirmed to be leak free, turn the Mix Tank Auto Fill Switch to START.
10. Perform a PSDS system disinfect.